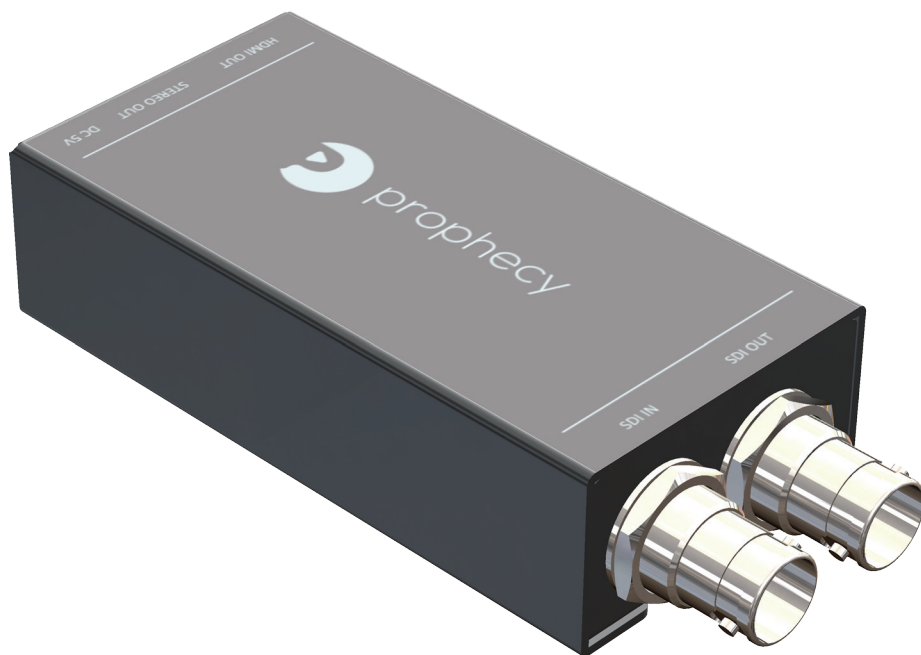


gofanco[®]

PRO-SDIHDaud

3G/HD/SD-SDI to HDMI Converter with Audio Extractor

User's Guide



Congratulations for owning a gofanco product. Our products aim to meet all your connectivity needs wherever you go.

Have fun with our products!

Please read this manual carefully before first use.

If you need more information about our products, please visit www.gofanco.com.

For technical support, please email us at support@gofanco.com.

For drivers/manuals download, please go to <http://www.gofanco.com/download>.

1. Introduction

The PRO-SDIHDaud **3G/HD/SD-SDI to HDMI Converter with Audio Extractor** provides a cost effective way to convert 3G/HD/SD-SDI signal to HDMI compliant format. The conversion between SDI and HDMI is pure digital and guarantees no loss transformation for both audio and video. The PRO-SDIHDaud also provides one low jitter SDI local loop-out and high quality analog stereo output to provide the flexibility to users. With the use of PRO-SDIHDaud, the most popular uncompressed video interface in the consumer world is readily available for professional SDI equipment!

2. Features

- Supports 3G-SDI formats : 1080p @50/59.94/60Hz (SMPTE 425M, Level A)
- Supports HD-SDI formats: 1080i @50/59.94/60Hz, 720p @50/59.94/60Hz
- Supports SD-SDI formats: NTSC @59.94Hz, PAL @50Hz
- Bit Rates for 2.97 Gbps, 2.967Gbps, 1.485 Gbps, 1.4835 Gbps, 270 MbpsSupports HDMI Deep Color
- Supports stereo audio output
- One SDI compliant output and one HDMI compliant output

3. Specifications

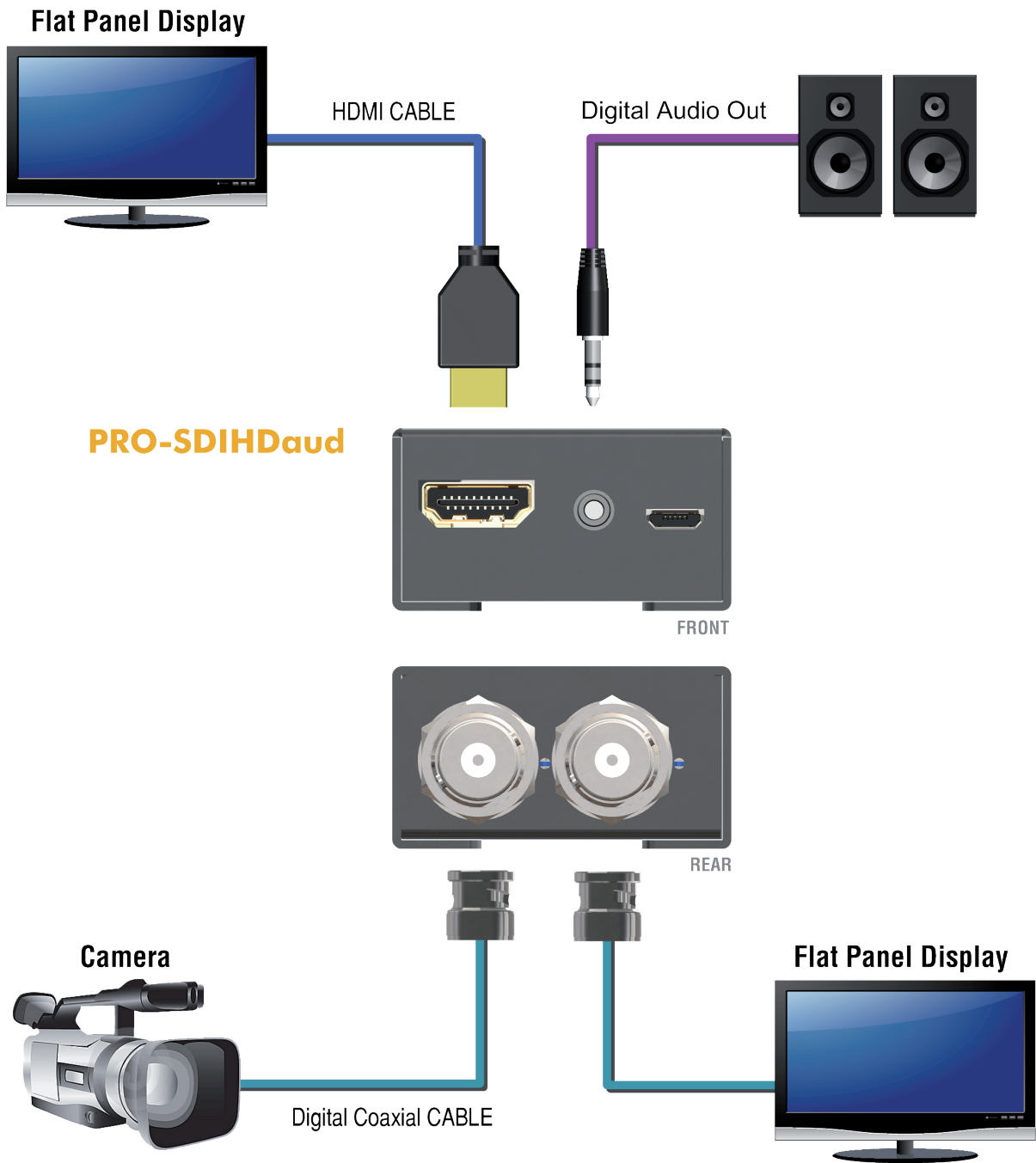
Item	Description
Auto 3G/HD/SD-SDI detection	Yes
Video bandwidth	[SDI][2.97Gpbs & 2.975/1.001Gbps] [HDMI] [6.75Gbps]
Video support	[3G] 1080p50/59.94/60 (4:2:2) [HD] – 720p @50/59.94/60Hz, 1080i @50/59.94/60Hz, 1080p @23.98/24/25/29.97/30Hz [SD] – NTSC @59.94Hz, PAL @50Hz [HDMI] up to 1080p60
Input signal	1x SDI
Output signal	1x HDMI + 1x SDI + 1x 3.5mm(Audio)
Output impedance(SDI)	75Ω
Synchronization mode	Internal synchronization or external synchronization
Eye pattern characteristics	Extra low alignment jitter 0.05UI at HD
Cable equalization	[3G-SDI] up to 90m (300ft) [HD-SDI] up to 150m (500ft) [SD-SDI] up to 300m (1000ft)
Audio extractor support	Support 2ch
PCB stack-up	4-layer board [impedance control — differential 100Ω; single 50Ω]
Input	1x BNC [SDI]
Output	1x HDMI + 1x BNC [SDI] + 1 x 3.5mm
BNC connector	75Ω inter-locked socket
HDMI connector	Type A [19-pin female]

Mechanical		
Housing		Metal enclosure
Dimensions [L x D x H]	Model	92 x 44 x 22mm [3.6" x 1.7" x 0.9"]
	Package	198 x 137 x 74mm [7.8" x 5.4" x 2.9"]
	Carton	420 x 400 x 300mm [1'4"x 1'3" x 11.8"]
Weight	Model	87g[3.1 oz]
	Package	285g[10 oz]
Power supply		5V 2A DC
Power consumption		2.5 Watts [max]
Operation temperature		0~40°C [32~104°F]
Storage temperature		-20~60°C [-4~140°F]
Relative humidity		20~90% RH [no condensation]

4. Package Contents

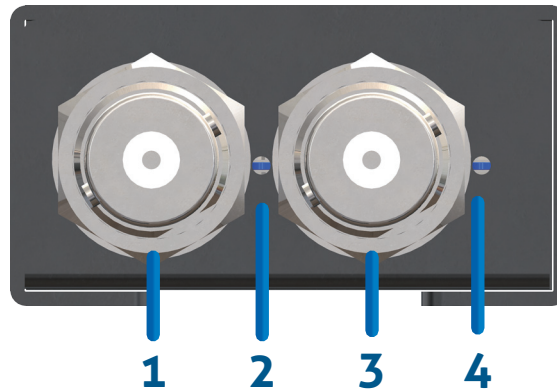
- 1x PRO-SDIHDaud
- 1x 5V/2A power adapter
- 2x Ear mount
- 1x User Manual

5. Connection Diagram



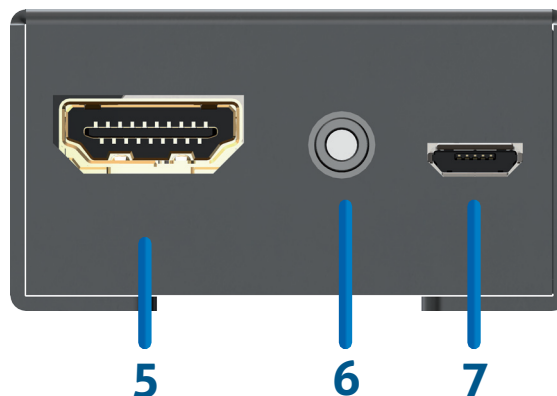
6. Panel Description

Front Panel



- 1. SDI IN: 3G/HD/SD-SDI Input**
- 2. Power LED indicator**
- 3. SDI OUT: 3G/HD/SD-SDI loopout**
- 4. Signal LED indicator**

Rear Panel

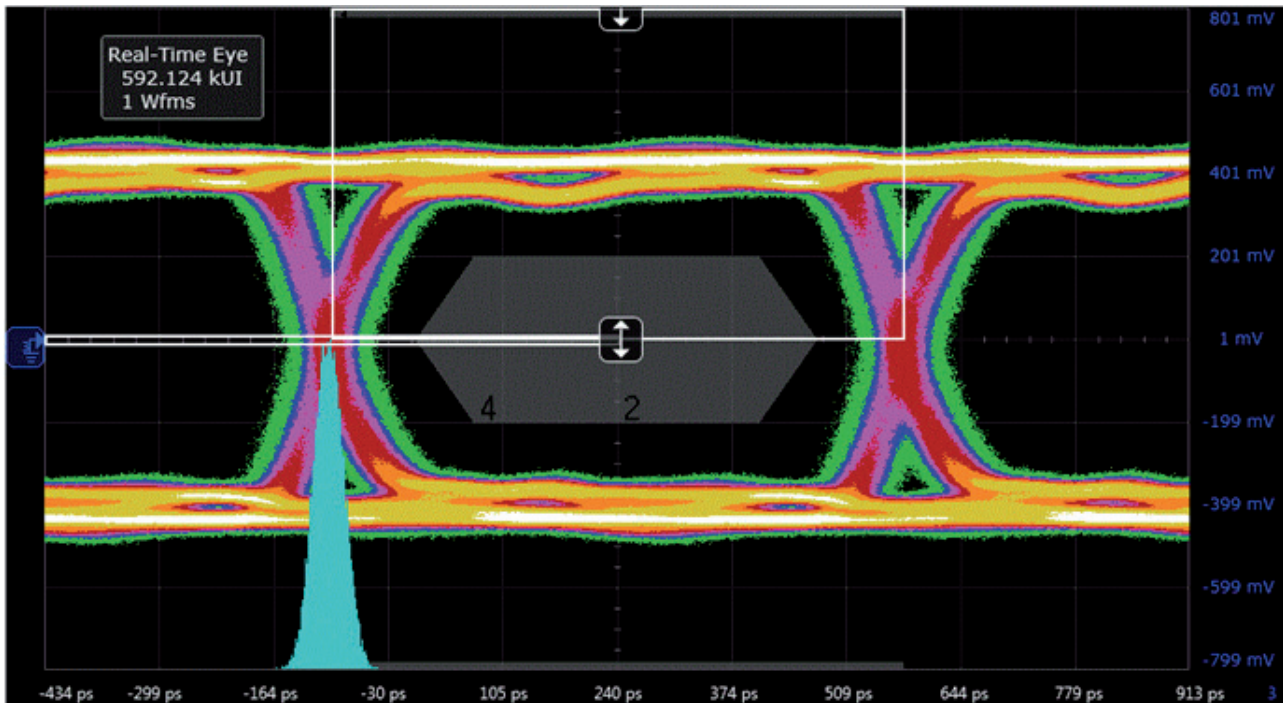


- 5. HDMI OUT**
- 6. Stereo Audio Output**
- 7. DC 5V micro USB power**

7. Supported Resolutions

3G-SDI Output	
1080p @ 50 / 59.94 / 60Hz	SMPTE 424M, SMPTE 425M
HD-SDI Output	
720p @ 50Hz	SMPTE 296M -3
720p @ 60 / 59.94Hz	SMPTE 296M -1, -2
1080i @ 50Hz	SMPTE 274M -6
1080i @ 60 / 59.94Hz	SMPTE 274M -4, -5
1080p @ 24 / 23.98Hz	SMPTE 274M -10, -11
1080p @ 25Hz	SMPTE 274M -9
1080p @ 30 / 29.97Hz	SMPTE 274M -7, -8
SD-SDI Output	
NTSC	
PAL B,D,G,H,I	

8. Signal Measurement



9. Limited Warranty

The SELLER warrants the **PRO-SDIHDaud 3G/HD/SD-SDI to HDMI Converter with Audio Extractor** to be free from defects in the material and workmanship for 1 year from the date of purchase from the SELLER or an authorized dealer. Should this product fail to be in good working order within 1 year warranty period, The SELLER, at its option, repair or replace the unit, provided that the unit has not been subjected to accident, disaster, abuse or any unauthorized modifications including static discharge and power surges.

Unit that fails under conditions other than those covered will be repaired at the current price of parts and labor in effect at the time of repair. Such repairs are warranted for 90 days from the day of reshipment to the BUYER. If the unit is delivered by mail, customers agree to insure the unit or assume the risk of loss or damage in transit. Under no circumstances will a unit be accepted without a return authorization number.

The warranty is in lieu of all other warranties expressed or implied, including without limitations, any other implied warranty or fitness or merchantability for any particular purpose, all of which are expressly disclaimed.

Proof of sale may be required in order to claim warranty. Customers outside Taiwan are responsible for shipping charges to and from the SELLER. Cables are limited to a 30 day warranty and cable must be free from any markings, scratches, and neatly coiled.

The content of this manual has been carefully checked and is believed to be accurate. However, The SELLER assumes no responsibility for any inaccuracies that may be contained in this manual. The SELLER will NOT be liable for direct, indirect, incidental, special, or consequential damages resulting from any defect or omission in this manual, even if advised of the possibility of such damages. Also, the technical information contained herein regarding the PRO-SDIHDaud features and specifications is subject to change without further notice.

Disclaimer

The product name and brand name may be registered trademarks of related manufacturers. TM and ® may be omitted on the user's guide. The pictures on the user's guide are just for reference, and there may be some slight differences with the actual products.

We reserve the rights to make changes without prior notice to a product or system described herein to improve reliability, function, or design.



Thank you for choosing gofanco

www.gofanco.com

April, 2018 Ver. A

Copyright © 2018 by gofanco, LLC. All rights reserved.