

gofanco®

PRO-HDBaseT2P

1x2 4K-HDR HDMI Splitter over Single Cat.x with
HDBaseT-Lite, IR, RS-232, PoC & Loopout

User's Guide



Congratulations for owning a gofanco product. Our products aim to meet all your connectivity needs wherever you go.

Have fun with our products!

Please read this manual carefully before first use.

If you need more information about our products, please visit www.gofanco.com.

For technical support, please email us at support@gofanco.com.

For drivers/manuals download, please go to <http://www.gofanco.com/download>.

Table of Contents

1. Safety and Notice	3
2. Introduction	4
3. Features	4
4. Package Contents	5
5. Specification	6
6. Panel Description	7
7. Connection Diagram	10
8. IR Pass-Through	11
9. Notice	12
10. LearningWarranty	14

1. Safety and Notice

Please read all of these instructions carefully before you use the device. Save this manual for future reference.

The **PRO-HDBaseT2P 1x2 4K-HDR HDMI Splitter over Single Cat.x with HDBaseT-Lite, IR, RS-232, PoC & Loopout** has been tested for conformance to safety regulations and requirements, and has been certified for international use. However, like all electronic equipments, the PRO-HDBaseT2P should be used with care. Please read and follow the safety instructions to protect yourself from possible injury and to minimize the risk of damage to the unit.

- Follow all instructions and warnings marked on this unit.
- Do not attempt to service this unit yourself, except where explained in this manual.
- Provide proper ventilation and air circulation and do not use near water.
- Keep objects that might damage the device and assure that the placement of this unit is on a stable surface.
- Use only the power adapter and power cords and connection cables designed for this unit.
- Do not use liquid or aerosol cleaners to clean this unit. Always unplug the power to the device before cleaning.

2. Introduction

The **PRO-HDBaseT2P 1x2 4K-HDR HDMI Splitter over Single Cat.x with HDBaseT-Lite, IR, RS-232, PoC & Loopout** provides the most cost effective and advanced HDMI splitter solution on the market, by which the high definition video and high quality audio can be transmitted up to 4 different locations without losing quality. PRO-HDBaseT2P supports all 3D formats, the true 4K 2K video and provides two HDMI local loopouts. In addition, PRO-HDBaseT2P is also equipped with bi-directional IR pass-through path and RS-232 serial port control.

With built-in USB firmware update mechanism, the compatibility among countless HDMI sources and receivers can be further guaranteed. With the upmost 12 bit deep color video and high definition audio support, PRO-HDBaseT2P is suitable for high quality HDMI broadcasting, digital signage and education applications!

3. Features

- HDMI 2.0a compliant
- Supports 4K2K@60 4:4:4 8bits
- Supports HDR*, which is 4K2K@60 4:2:0 10bits**
- Extends HDMI signal up to 60m (198ft) at Full HD 1080p 36-bit, 35m (114ft) at 4K2K@60 444 & 4K HDR
- Supports PoC (Power over Cable) which allows all Receivers to be powered by the Transmitter with just one power adapter
- Supports two HDMI loopouts
- HDCP 2.2/1.4 support
- Supports resolution downscaling from 4K2K to 1080P*
- Supports EDID management
- Auto equalization
- Pure unaltered uncompressed 7.1ch digital HDMI over Cat.5/5e/6 cable transmission
- DTS-HD Master Audio and Dolby TrueHD high bit rate audio support

- Supports full frequency IR signal from 30KHz to 56KHz
- Bi-directional IR path-through
- RS-232 Pass-Thru: Up to 115,200bps
- Video latency less than 20 us.
- Easy installation

* HDR = High Dynamic Range.

** The video bandwidth of 4K2K@60 4:2:0 10bits (HDR) is 384 MHz, and the 4K2K@60 4:4:4 8bits is 594MHz.



When used in conjunction with the PRO-HDBaseT2P-RX receiver

- (a) the PRO-HDBaseT2P can support resolution downscaling from 4K2K to 1080P
- (b) Does not support resolution downscaling from 4K2K@60 4:2:2 to 1080P
- (c) Does not support frame rate conversion

4. Package Contents

- 1x PRO-HDBaseT2P
- 2x PRO-HDBaseT2P-RX
- 1x DC 12V 3.33A
- 1x 3-pin Terminal Block Connector
- 1x IR Blaster
- 2x IR Receiver
- 1x User Manual

5. Specifications

Item	Description	
Technical		
Role of usage	1x2 Distribution Amplifier (Splitter)	
HDMI compliance	HDMI 2.0a	
HDCP compliance	Yes	
Video bandwidth	Single-link 600MHz [18Gbps]	
Video support	HDR 4K2K@60(4:2:0 10bits)/ 4K2K@60 (4:4:4 8bits)	
Transmission over UTP cable	1080p@60 60m (198ft) [CAT5e] 4K2K@60 (4:4:4 8bit) 35m (114ft) [CAT5e]	
ESD protection	Human body model — ±15kV [air-gap discharge] & ±8kV [contact discharge]	
Audio support	Surround sound (up to 7.1ch) or stereo digital audio	
Input TMDS signal	1.2 Volts [peak-to-peak]	
Input DDC signal	5 Volts [peak-to-peak, TTL]	
PCB stack-up	4-layer board [impedance control — differential 100Ω; single 50Ω]	
Input	1x HDMI/ 1x 3.5mm	
Output	2x HDMI/ 2x RJ-45[HDBaseT]/ 1x 3.5mm	
IN/ OUT	1x RS-232	
HDMI source control	Controllable via IR pass-through from RX to TX with IR extenders	
HDMI connector	Type A [19-pin female]	
RJ-45 connector	WE/SS 8P8C(Reverse Mode)	
Rotary switch	Yes	
3.5mm connector	IR receiver / IR blaster	
Mechanical		
Housing	Metal enclosure	
Dimensions [L x D x H]	Model	328 x 120 x 27mm [1' x 4.7" x 1"]
	Package	376 x 240 x 112mm [1'2" x 9.4" x 4.4"]
	Carton	590 x 510 x 405mm [1'9" x 1'7" x 1'3"]
Weight	Model	819g [1.8 lbs]]
	Package	1622g[3.6 lbs]
Fixedness	1RU rack-mounting case with ears	
Power supply	12V 3.33A DC	
Power consumption	25 Watts [max]	
Operation temperature	0~40°C [32~104°F]	
Storage temperature	-20~60°C [-4~140°F]	
Relative humidity	20~90% RH [no condensation]	

6. Panel Description

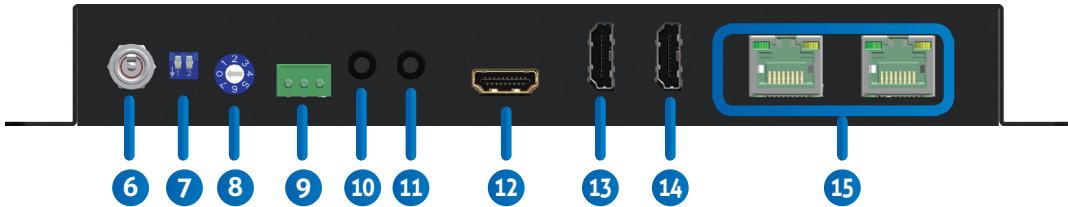
PRO-HDBaseT2P

Front Panel



1. **Power LED:** Power indicator
2. **Micro-USB:** For technical support only [firmware update]
3. **HDMI Signal LED:** Input, Loopout 1, Loopout 2 (from left to right)
4. **Link Receiver LED:** Link LED indicator 1-2
5. **HDMI Signal LED at Receiver:** Output signal LED indicator 1-2

Rear Panel



6. **+12V DC:** Connect to the +12V DC power supply unit
7. **2-PIN Dip Switch:** For firmware update ON[↓] OFF[↑]

DIP Switch Position		Description		
PIN#1	PIN#2	OFF[↑]	OFF[↑]	Working Mode & Input F/W Update
		OFF[↑]	ON[↓]	Reserved
		ON[↓]	OFF[↑]	Output 1 F/W Update
		ON[↓]	ON[↓]	Output 2 F/W Update

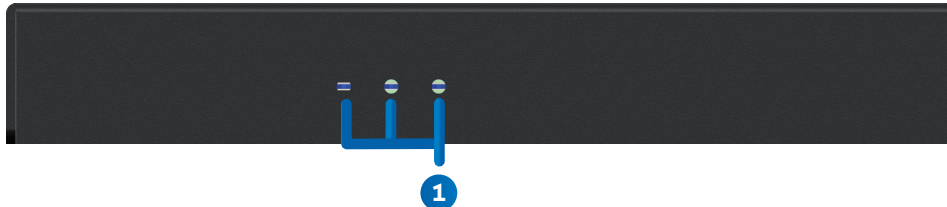
8. EDID Management Rotary control:

MODE 0	Ultra HD(4K2K@60) – 8/10/12bit 3D HDR video & 7.1ch audio
MODE 1	Ultra HD(4K2K@60) – 8/10/12bit 3D HDR video & 2ch audio
MODE 2	Ultra HD(4K2K@30)(4K2K@60 420) – 8/10/12bit 3D HDR video & 7.1ch audio
MODE 3	Ultra HD(4K2K@30)(4K2K@60 420) – 8/10/12bit 3D HDR video & 2ch audio
MODE 4	Full-HD(1080p@60) – 12bit 3D video & 7.1ch audio
MODE 5	Full HD(1080p@60) – 8bit 2D video & 2ch audio
MODE 6	Learning EDID from loopout #1
MODE 7	Auto EDID analysis learning mode

9. **RS-232 (terminal block format):** The order of RS-232 pin are TX, RX, GND (from the left side to the right)
10. **IR Receiver:** Infrared 3.5mm socket for plugging in the extension cable of IR receiver
11. **IR Blaster:** Infrared 3.5mm socket for plugging in the extension cable of IR blaster
12. **HDMI IN:** Connect to a HDMI input source
13. **HDMI LOOPOUT #1:** Connect to a HDMI display with a HDMI male-male cable here
14. **HDMI LOOPOUT #2:** Connect to a HDMI display with a HDMI male-male cable here
15. **HDMI Signal OUT1-2:** Link to each HDMI display via a Cat-5/5e/6 cable with a HDMI over Cat.X receiver.

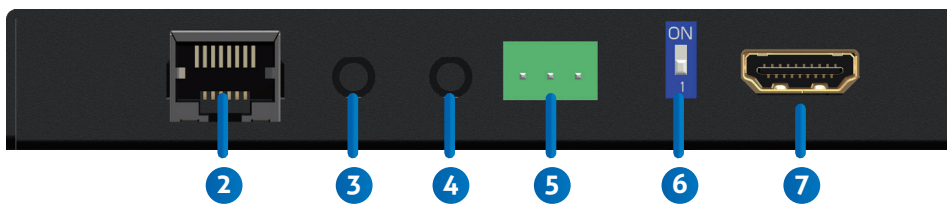
PRO-HDBaseT2P-RX

Front Panel



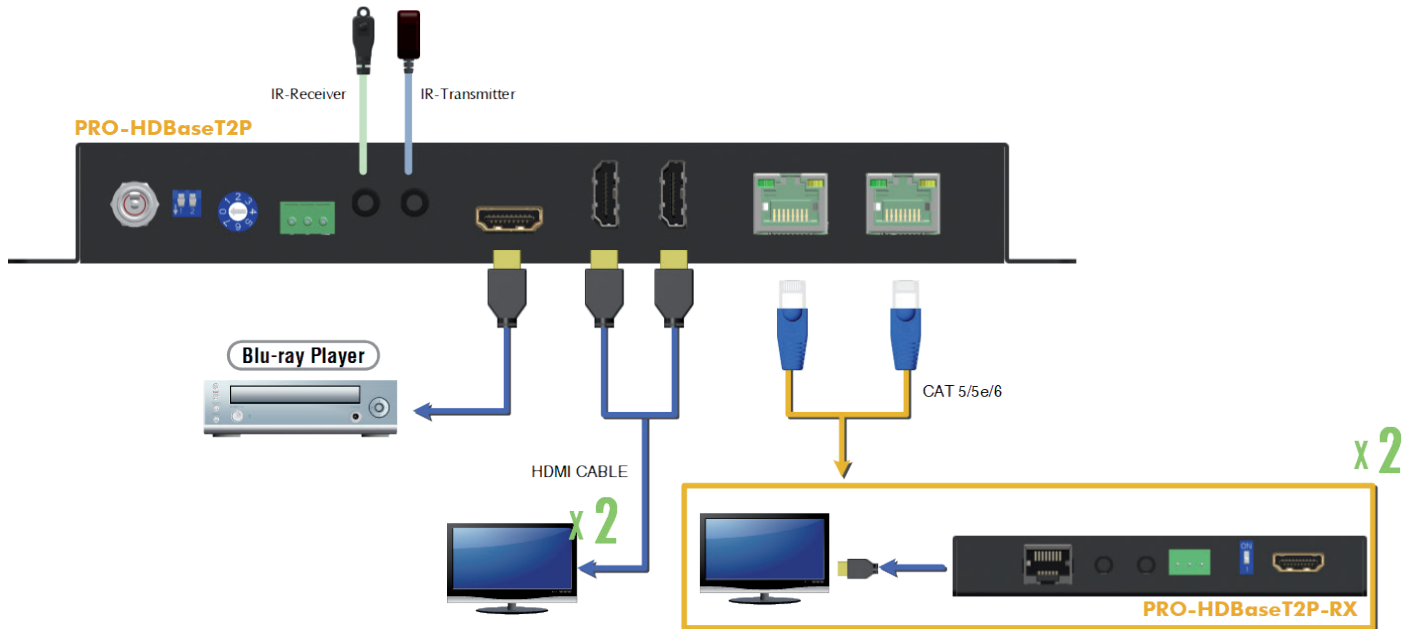
1. **LED:** Power LED, Link LED, Signal LED
 - (1)Power LED: Power indicator LED
 - (2)Link LED: Link indicator LED
 - (3)Signal LED: When receiving unit receive the HDMI signal, the LED light will shine

Rear Panel



2. **RJ45:** Plug in a Cat-5/5e/6 cable that needs to be linked to the transmitting unit
3. **IR Receiver:** Infrared 3.5mm socket for plugging in the extension cable of IR receiver
4. **IR Blaster:** Infrared 3.5mm socket for plugging in the extension cable of IR blaster
5. **RS-232(terminal block format):** The order of RS-232 pin are TX, RX, GND (from left to right)
6. **Dip Switch:** for F/W update ([ON] F/W update Mode; [OFF] Normal Mode)
7. **HDMI OUT:** Connects to a HDMI display with HDMI male-male cable

7. Connection Diagram



8. IR Pass-Through

IR Extenders

IR Blaster



IR Receiver



IR Sockets

IR BLASTER:

plug in the IR blaster to emit all IR command signals received from the IR receiver from the other end to control the devices corresponding to the IR signals.

IR RECEIVER:

plug in the IR receiver to receive all IR command signals from the IR remote controls of the corresponding devices.



CAUTION

Incorrect placement of IR Blaster and Receiver may result in the failure of the IR extenders. Please check carefully before plugging in the IR extender to the respective IR sockets. Warranty will not cover the damage.

Definition of IR Earphone Jack

- 1. IR Signal
- 2. Grounding



IR Blaster

- 1. IR Signal [20-60 kHz]
- 2. Grounding
- 3. Power



IR Receiver



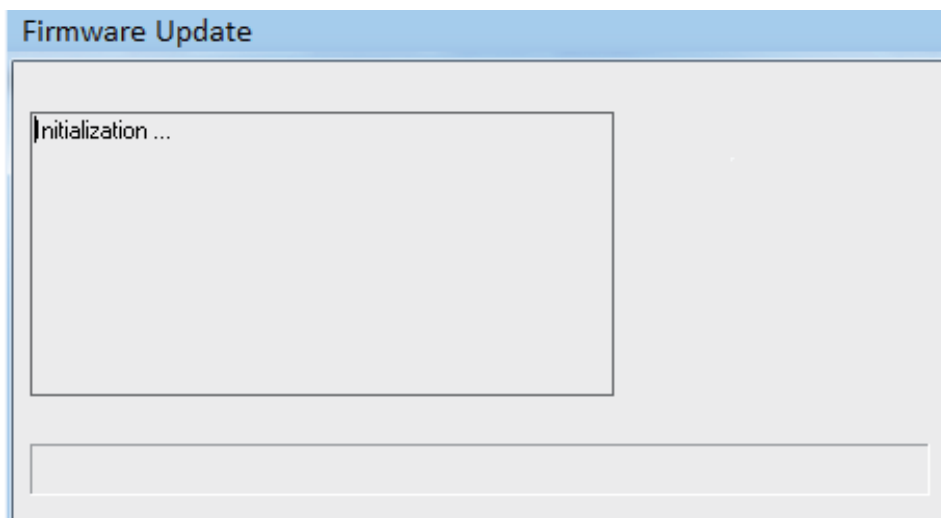
You can buy any IR extension cables in the market that are compatible to the definition of the IR sockets for the matrix if necessary for replacement use. However, IR cables longer than 2m (6-ft) may not work.

9. Notice

1. Short blackout periods are expected when new monitors are connected to the splitter. The splitter will do Automatic EDID learning which analyzes the newly connected monitor to see if the EDID for the HDMI input is necessary to update!
2. Firmware update is proceed through Micro-USB

System firmware update

- (1) Save the firmware file (.bin) & software in the same folder.
- (2) Please try to adjust dip switch [pin1, pin 2]=[▲-▲]
- (3) Connect the Micro-USB cable between PC and device
- (4) Open firmware update software and then device will start to update firmware automatically



- (5) After update process is done, software will show "Success" message and then be closed automatically.
- (6) Power cycle the device

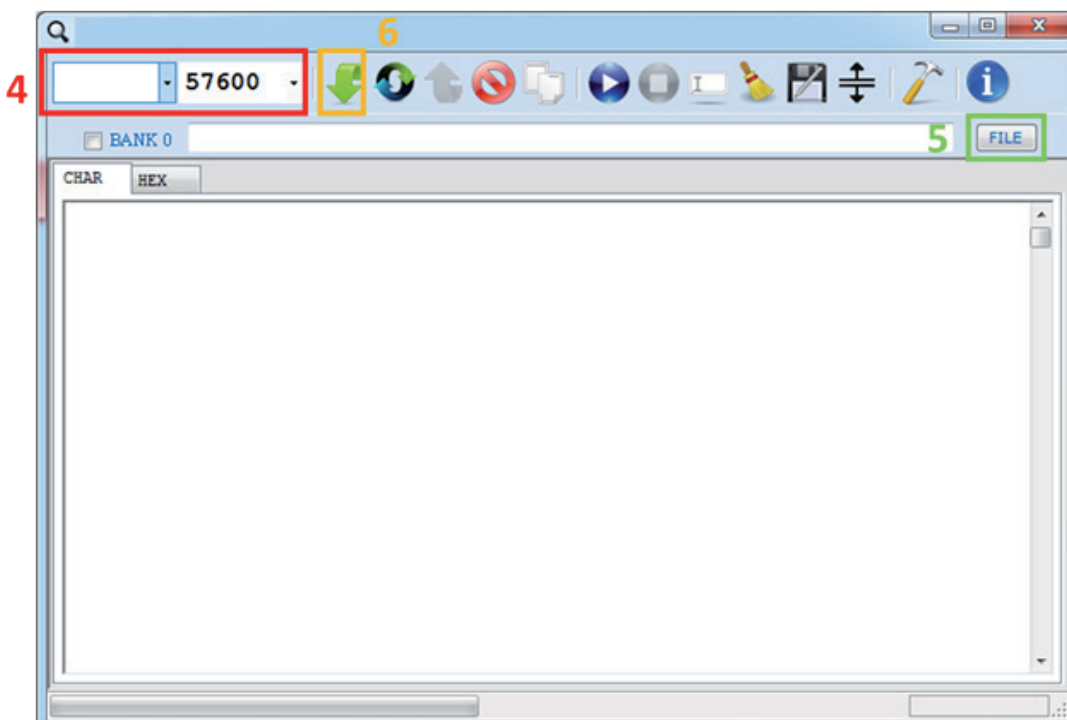
Output 1 firmware update

- (1) Please adjust dip switch [pin1, pin 2]=[▼-▲]
- (2) Connect the Micro-USB cable between PC and device
- (3) Open the firmware update software
- (4) Set the correct COM port and baud rate (57600 is recommended)
- (5) Click the FILE button to load firmware file (.hex or .bin file)

- (6) Device power on
- (7) Press Program MCU symbol to do firmware update
- (8) Once update process is done, please power cycle the device and set the dip switch [pin 1, pin 2] to [↑-↑]
- (9) Power cycle the device

Output 2 firmware update

- (1) Please adjust dip switch [pin1, pin 2]=[↓-↓]
- (2) Connect the Micro-USB cable between PC and device
- (3) Open the firmware update software
- (4) Set the correct COM port and baud rate (57600 is recommended)
- (5) Click the FILE button to load firmware file (.hex or .bin file)
- (6) Device power on
- (7) Press Program MCU symbol to do firmware update
- (8) Once update process is done, please power cycle the device and set the dip switch [pin 1, pin 2] to [↑-↑]
- (9) Power cycle the device



10. Limited Warranty

The SELLER warrants the **PRO-HDBaseT2P 1x2 4K-HDR HDMI Splitter over Single Cat.x with HDBaseT-Lite, IR, RS-232, PoC & Loopout** free from defects in the material and workmanship for 1 year from the date of purchase from the SELLER or an authorized dealer. Should this product fail to be in good working order within 1 year warranty period, The SELLER, at its option, repair or replace the unit, provided that the unit has not been subjected to accident, disaster, abuse or any unauthorized modifications including static discharge and power surge. This warranty is offered by the SELLER for its BUYER with direct transaction only. This warranty is void if the warranty seal on the metal housing is broken.

Unit that fails under conditions other than those covered will be repaired at the current price of parts and labor in effect at the time of repair. Such repairs are warranted for 90 days from the day of reshipment to the BUYER. If the unit is delivered by mail, customers agree to insure the unit or assume the risk of loss or damage in transit. Under no circumstances will a unit be accepted without a return authorization number.

The warranty is in lieu of all other warranties expressed or implied, including without limitations, any other implied warranty or fitness or merchantability for any particular purpose, all of which are expressly disclaimed.

Proof of sale may be required in order to claim warranty. Customers outside Taiwan are responsible for shipping charges to and from the SELLER. Cables and power adapters are limited to a 30 day warranty and must be free from any markings, scratches, and neatly coiled.

The content of this manual has been carefully checked and is believed to be accurate. However, The SELLER assumes no responsibility for any inaccuracies that may be contained in this manual. The SELLER will NOT be liable for direct, indirect, incidental, special, or consequential damages resulting from any defect or omission in this manual, even if advised of the possibility of such damages. **Also, the technical information contained herein regarding the PRO-HDBaseT2P features and specifications is subject to change without further notice.**

Disclaimer

The product name and brand name may be registered trademarks of related manufacturers. TM and ® may be omitted on the user's guide. The pictures on the user's guide are just for reference, and there may be some slight differences with the actual products.

We reserve the rights to make changes without prior notice to a product or system described herein to improve reliability, function, or design.



Thank you for choosing gofanco

www.gofanco.com