



HDMI 2.0 USB KVM CAT Extender - 70m

User's Guide



P/N: KVMHD20Ext

Thank you for purchasing from gofanco. Our products aim to meet all your connectivity needs wherever you go. For optimum performance and safety, please read the instructions carefully and keep this User's Guide for future reference. If you need more information about our products, please visit www.gofanco.com. For technical support, please email us at support@gofanco.com. For drivers/manuals download, please go to www.gofanco.com/downloads.

Important Safety Notices

Please read safety instructions carefully before installation and operation.

- Please pay close attention to all warnings and hints for this device
- Do not expose this unit to rain, heavy moisture, or liquid
- Do not repair the device or open the enclosure without professional guidance to avoid electric shocks. Doing so may void your warranty
- Keep the product in a well-ventilated location to avoid damage from overheating

- Shut off power and make sure environment is safe before installation
- Do not plug the HDMI cables in/out when the device is in use to avoid cable damage. Make sure they are plugged into the correct ports
- Use the included DC5V power adapters only. Make sure the specification matches if using 3rd-party DC power adapters

Introduction

The HDMI 2.0 USB KVM CAT Extender - 70m extends HDMI and USB signals up to 70 meters (230ft) over a single CAT6/7 cable.

Features

- Supports up to 4K@60Hz and HDR with nearly zero latency
- KVM extension with 2 USB 1.1 keyboard and mouse ports to control a PC at a remote location
- HDMI loopout on the Transmitter (TX) for a local HDMI display
- Supports up to 5.1ch HDMI audio with Toslink audio extraction on Receiver (RX)
- Metal housing provides durability and higher level of RF/EMI shielding

Package Contents

- 1 Transmitter (TX) and 1 Receiver (RX) unit
- Power adapter (2pcs)
- USB Type-A to Type-A cable (1pc)
- Mounting accessories
- User's guide (1pc)

Product Layout

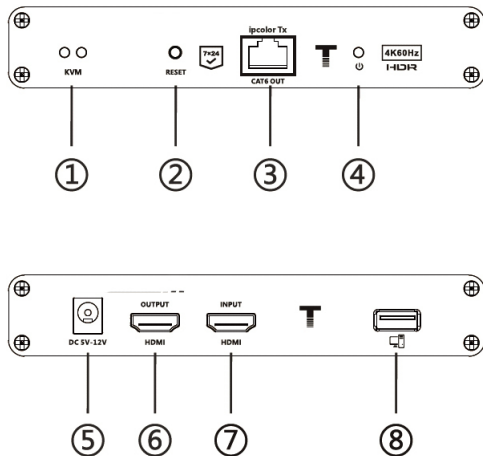


Figure 1: Transmitter (TX)

1	KVM LED	Off: No PC connection or no USB signal detected
		On: PC connected and USB detected properly
		Flashing: USB signal transmission detected
2	Reset	Press to restart the Transmitter (TX) unit
3	RJ45 Out	Connects to the Receiver's RJ45 port using a CAT cable
4	Power LED	Flashing: Powered on, no HDMI signal detected
		On: Powered on, HDMI signal detected
5	Power Jack	Connects to the included power adapter
6	HDMI Out	Connects to a local HDMI display
7	HDMI In	Connects to PC's HDMI output
8	USB Port	Connects to the computer's USB port

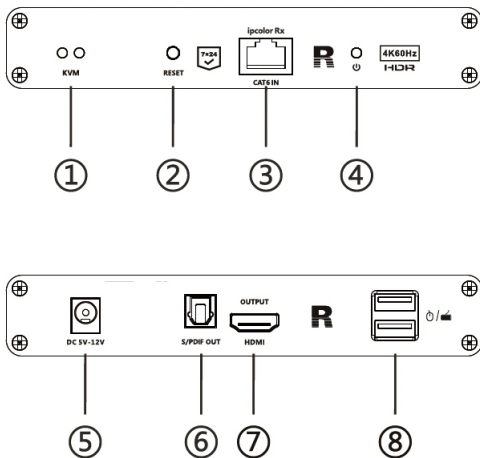


Figure 2: Receiver (RX)

1	KVM LED	Off: No USB device connected
		On: USB device connected
2	Reset Button	Press to reset the Receiver (RX) unit
3	RJ45 In	Connects to the Transmitter's RJ45 port using a CAT cable
4	Power LED	Flashing: Powered on, no HDMI signal detected
		On: Powered on, HDMI signal detected
5	Power Jack	Connects to the included power adapter
6	S/PDIF Out	Toslink digital audio output connects to speakers or AVR
7	HDMI Out	Connects to an HDMI display
8	USB Port (x2)	Connects to your keyboard and mouse

Hardware Installation

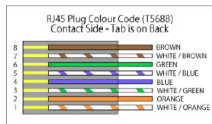
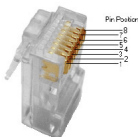
1. Power off all devices including your PC and HDMI display(s).
2. Connect your PC's HDMI output to the Transmitter's HDMI In connector with an HDMI cable (HDMI cable not included).
3. Connect the Transmitter's USB port to the PC's USB port using the included USB Type-A to Type-A cable.
4. Optional: Connect an HDMI display to the Transmitter's HDMI out connector with an HDMI cable (HDMI cable not included) for local monitoring of the HDMI signal.
5. Plug your CAT cable between the Transmitter's RJ45 Out and Receiver's RJ45 In.
6. Connect your HDMI display to the Receiver's HDMI out connector with an HDMI cable (HDMI cable not included).
7. Plug your keyboard and mouse into the USB ports of the Receiver (RX) unit.

8. Plug the included power adapters into the Transmitter's and Receiver's power jack, then plug the power adapters into a reliable power source.
9. Power on all connected devices.
10. The extender is ready for use.

CAT Cable Wiring

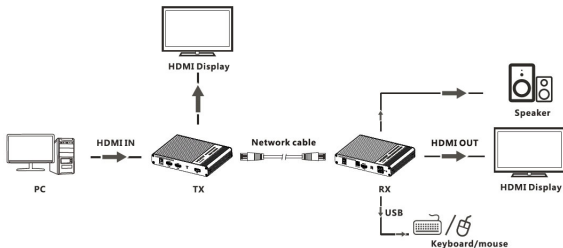
We suggest both RJ-45 connectors be wired identically following T568B wiring standard for the best performance and compatibility.

Both connectors must be wired identically, to T568B standard.



Note: You may use cat5e, cat6 UTP (cat6 preferred) in conjunction with the RJ45 output; however for best performance use cat6a or cat7 (particularly in electrically noisy environments). The maximum distances & transmission performance for HDMI and USB may be compromised by cable quality, patch panels, poor termination, wall plates, cable kinks and electrical interferences. Generally ensure the cat cable is solid copper core of 23AWG (avoid CCA type), in one straight run (avoid/minimise patches) and avoid close proximity to any noisy electrical sources.

Application Diagram



FAQ & Solutions

Q: There is no video output or video is not normal:

A: 1) Check all cable connections.
2) Press the reset button on the Transmitter and Receiver units.

Q: The extender is not working properly:

A: 1) Please check the cable lengths below:

- HDMI cables: Up to 3 meters

- Network cables: Up to 70 meters

2) Press the reset button on both TX & RX.

Q: KVM LED is on but there is no image:

A: 1) Press reset button on both TX & RX.

2) Make sure the HDMI cable is firmly connected to the display.

3) Use a 100% solid copper network cable.

Specifications

HDMI Compliance	HDMI 2.0
HDCP Compliance	HDCP 2.2
Resolution	480i@60Hz, 480p@60Hz, 576i@50Hz, 576p@50Hz, 720p@50/60Hz, 800x600, 1024x768, 1280x768, 1280x800, 1280x960, 1360x768, 1366x768, 1600x900, 1680x1050, 1080i@50/60Hz, 1080p@50/60Hz, 3840x2160@24/25/30/50/60Hz, 4096x2160@24/25Hz
Transmission Distance	Cat6/7: \leq 70 meters
Input and Output TMDS Signal	0.7 - 1.2Vp-p (TMDS)
Input and Output DDC signal	5Vp-p (TTL)
Power Supply (2pcs)	5VDC / 2A (output)
Power Consumption	TX: < 4W
	RX: < 4W
Operating Temperature	-20 - 60 C
Storage Temperature	-30 - 70 C
Humidity	0 - 90%

Disclaimer

The product name and brand name may be registered trademarks of related manufacturers. TM and ® may be omitted on the user's guide. The pictures on the user's guide are just for reference, and there may be some slight differences with the actual products.

We reserve the right to make changes without prior notice to a product or system described herein to improve reliability, function, or design.



Thank you for choosing gofanco

www.gofanco.com