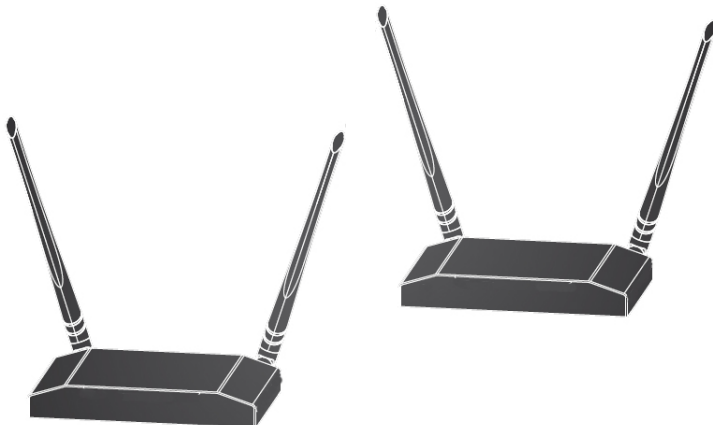




Wireless HDMI Extender Kit 1080p - 150m User's Guide



P/N:HDwireless150

Thank you for purchasing from gofanco. Our products aim to meet all your connectivity needs wherever you go. For optimum performance and safety, please read the instructions carefully and keep this User's Guide for future reference. If you need more information about our products, please visit www.gofanco.com. For technical support, email us at support@gofanco.com. For drivers or manual download, please go to www.gofanco.com/download.

Important Safety Notices

Please read safety instructions carefully before installation and operation.

- Please pay close attention to all warnings and hints for this device
- Do not expose this unit to rain, heavy moisture, or liquid
- Do not put any items into the device or attempt to modify its operation
- Do not repair the device or open the enclosure without professional guidance to avoid electric shocks. Doing so may void your warranty
- Keep the product in a well-ventilated location to avoid damage from overheating
- Shut off power and make sure environment is safe before installation
- Do not plug the HDMI cables and IR cables in/out when the device is in use to avoid cable damage. Make sure they are plugged into the correct ports
- Use the included DC5V power adapters only. Make sure the specification matches if using 3rd-party DC power adapters

Introduction

The Wireless HDMI Extender Kit 1080p - 150m extends HDMI signals wirelessly from a source device to a display device up to 150 meters. It requires no cables between the Transmitter (TX) and Receiver (RX), making the installation easy and clean. Great for homes and offices.

Note: Wireless transmission distance will vary due to the environmental conditions. Thick walls, brick, glass or electronic interference will shorten the wireless transmission distance or cause signal loss.

Features

- Transmits HDMI signals in 1080p up to 150 meters wirelessly
- Supports IR remote control function to control the source device from long distances
- No cables required between Transmitter (TX) and Receiver (RX)
- Easy and clean installation

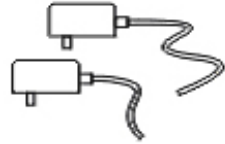
Package Contents



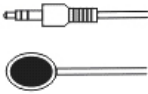
Transmitter (TX) (1pc)



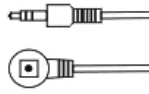
Receiver (RX) (1pc)



DC5V/2A Power Adapter (2pcs)



IR Blaster Extension Cable (1pc)



IR Receiver Extension Cable (1pc)



User's Guide (1pc)



Antenna (4pcs)

Installation Requirements

1. HDMI source device (DVD player, set top box, PC, etc.)
2. HDMI display device (SDTV/Monitor, HDTV/Monitor, projector, etc.)
3. HDMI cables (not included)

Product Layout

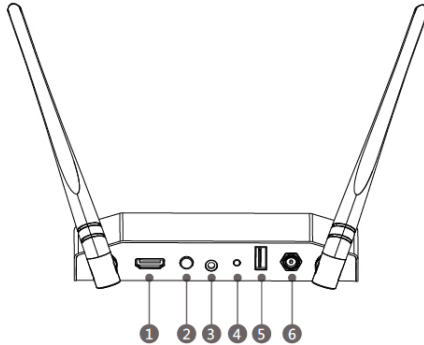


Figure 1: Transmitter (TX)

1. HDMI Input	Connects to the HDMI source device
2. Pairing Button	Press and hold down to begin pairing process
3. IR Output	Connects to the IR Blaster Extension Cable
4. Reset Button	Press the button to reset the Transmitter
5. USB Port	Firmware upgrade
6. Power Adapter Jack	Connects to the included power adapter

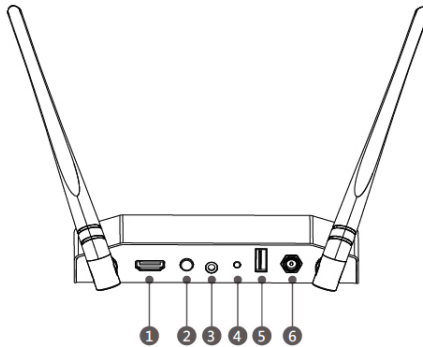


Figure 2: Receiver (RX)

1. HDMI Output	Connects to the HDMI display device
2. Pairing Button	Press and hold down to begin pairing process
3. IR Input	Connects to the IR Receiver Extension Cable
4. Reset Button	Press the button to reset the Receiver
5. USB Port	Firmware upgrade
6. Power Adapter Jack	Connects to the included power adapter

Hardware Installation

1. Power off all devices including your HDMI source and HDMI display.
2. Install the included antennas to the TX and RX.
3. Connect your HDMI source device to the Transmitter's HDMI Input connector with an HDMI cable (HDMI cable not included).
4. Optional: Connect the IR Blaster Extension Cable to the Transmitter's IR interface port. Face the eye towards your HDMI source device's IR window. This connection is needed only if you need to control your HDMI source from the remote location.
5. Connect your HDMI display to the Receiver's HDMI Output connector with an HDMI cable (HDMI cable not included).
6. Optional: Connect the IR Receiver Extension Cable to the Receiver's IR interface port. This connection is needed only if you need to control your HDMI source from the remote location.
7. Plug the included power adapters into the Transmitter's and Receiver's Power Jacks, then plug both power adapters into reliable power outlets.
8. Power on your HDMI source device and HDMI display. The wireless extender is ready for use.

Note: For optimal signal range, install in a clear environment with few obstacles. Wireless signals from other devices, such as microwaves, wireless mice and keyboards, etc. may interfere with transmission. Contact our technical support team if you have specific questions.

Application Diagram

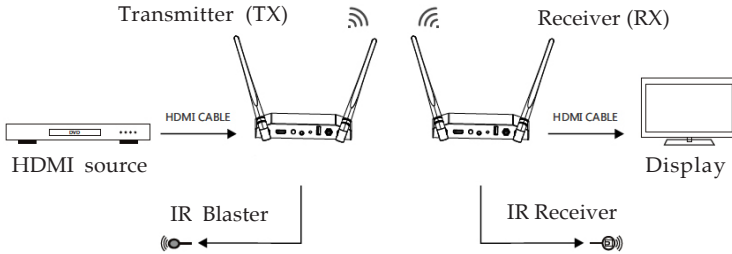


Figure 3: Application Diagram

Pairing Instructions

This kit has been paired at the factory during manufacturing. If the units are not operating properly, please use the steps below for pairing them.

1. Power on the transmitter and receiver units.
2. Press and hold down the pairing button on both the transmitter and receiver at the same time.
3. When the LEDs begin to flash release both buttons.
4. When the LEDs turn solid blue color, the pairing is successful. Repeat the pairing instructions if the LED does not turn solid blue color.

Notice

- Wireless signals transmitted through walls, glass, brick or other solid objects will cause signal loss and decrease the transmission distance
- External wireless signals from microwaves, wireless mice and wireless keyboards will interfere with HDMI signal transmission
- Keep the unit in a well ventilated environment to prevent it from overheating
- **DO NOT** expose the unit to rain, moisture, or liquids
- **DO NOT** place anything on the unit
- **DO NOT** open the housing, doing so will void the warranty and may cause personal injury due to electronic hazard
- **DO NOT** plug-in or remove the IR extension cables when the unit is powered on

FAQ & Troubleshooting

Q: My display shows "Searching TX..." on the screen?

A: 1) Please check if the power adapters of Transmitter (TX) and Receiver (RX) are connected and powered on.

2) Check the HDMI cables for solid connection.

3) Press the Reset button on both TX and RX.

4) Connect the source device directly to the TV to see if there is a signal.

Q: Poor video quality:

A: 1) Check the HDMI cables are connected properly. Use different HDMI cables if necessary.

2) Change the angle of the antenna on the transmitter unit and receiver unit. Generally, the antenna angle should be positioned as far apart as possible.

3) Adjust the position of transmitter unit and receiver unit, and make sure they are within the required signal range.

4) Press the "Reset" button on the transmitter unit and receiver unit and reconnect.

5) Remove other wireless signals and move any obstacles that are blocking the signal line-of-sight.

6) Decrease the distance between the transmitter unit and the receiver unit.

Specifications

Item	Specification
Wireless Frequency	5.1 - 5.8GHz
Wireless Latency	<180ms
Resolution (Input & Output)	480i@60Hz, 480P@60Hz, 576i@50Hz, 576p@50Hz, 720p@50/60Hz, 1080i@50/60Hz, 1080p@24/30/50/60Hz
Antenna Gain	5dBi
IR Remote Control	Supports 20kHz~60kHz IR remote devices
Transmission Distance	Up to 150 meters
Operating Temperature	32° - 104° F (0° - 40° C)
Power Adapter	Output: DC5V/2A
Power Consumption	TX: <8W / RX: <5W
Housing Material	Metal
Product Dimensions (TX & RX)	5.88" (L) x 3.64" (W) x 0.91" (H)
Weight	TX: 0.81 lbs / RX: 0.81 lbs
Color	Black

Disclaimer

The product name and brand name may be registered trademarks of related manufacturers. TM and ® may be omitted on the user's guide. The pictures on the user's guide are just for reference, and there may be some slight differences with the actual products.

We reserve the right to make changes without prior notice to a product or system described herein to improve reliability, function, or design.



Thank you for choosing gofanco

www.gofanco.com