



# 1080p Wireless HDMI Extender - 100m User's Guide



P/N:HDwireless100

Thank you for purchasing from gofanco. Our products aim to meet all your connectivity needs wherever you go. For optimum performance and safety, please read the instructions carefully and keep this User's Guide for future reference. If you need more information about our products, please visit [www.gofanco.com](http://www.gofanco.com). For technical support, email us at [support@gofanco.com](mailto:support@gofanco.com). For drivers or manual download, please go to [www.gofanco.com/downloads](http://www.gofanco.com/downloads).

## **Important Safety Notices**

Please read safety instructions carefully before installation and operation.

- Please pay close attention to all warnings and hints for this device
- Do not expose this unit to rain, heavy moisture, or liquid
- Do not put any items into the device or attempt to modify its operation
- Do not repair the device or open the enclosure without professional guidance to avoid electric shocks. Doing so may void your warranty
- Keep the product in a well-ventilated location to avoid damage from overheating
- Shut off power and make sure environment is safe before installation
- Do not plug the HDMI cables and IR cables in/out when the device is in use to avoid cable damage. Make sure they are plugged into the correct ports
- Use the included power adapters only. Make sure the specification matches if using 3rd-party DC power adapters

## Introduction

The 1080p Wireless HDMI Extender - 100m extends HDMI signals wirelessly from a source device to a display device up to 100 meters. It requires no cables between the Transmitter (TX) and Receiver (RX), making the installation easy and clean. Great for homes and offices.

**Note:** Wireless transmission distance will vary due to the environmental conditions. Thick walls, brick, glass, electronic interference, and wireless signals from other devices will shorten the wireless transmission distance or cause signal loss.

## Features

- Transmits HDMI signals wirelessly up to 328 feet (100m) at 1080p
- Input audio formats: LPCM 2.0-ch 32KHz/44.1KHz/48KHz/88.2KHz/96KHz/176.4KHz/192KHz audio; Output: LPCM 2.0-ch 48KHz
- Adopts H.265 high performance code technology
- HDCP 1.4 compliant
- IR extension allows you to recognize remote commands from a remote location. 20-60KHz IR frequency
- Less than 120ms latency. Not recommended for real-time applications
- Operates in a 5GHz wireless spectrum
- Dual antenna design maximizes wireless reception with stable data transmission

## Package Contents

- 1080p Wireless HDMI Extender - 100m (1 TX and 1 RX)
- IR blaster cable (1pc)
- IR receiver cable (1pc)
- Antenna (4pcs)
- Power adapter (2pcs)
- User guide

## Installation Requirements

1. HDMI source device (DVD player, set top box, PC, etc.)
2. HDMI display device (SDTV/Monitor, HDTV/Monitor, projector, etc.)
3. HDMI cables (not included)

## Wireless Frequency

The extender scans then selects the least occupied wireless frequency when powered on. Once the frequency is set, it will not change during operation. To avoid interference, power cycle the TX and RX to scan for new 5G frequency.

Channel	Center Frequency (MHz)	Frequency Range (MHz)	Bandwidth (MHz)
36	5180	5170 - 5190	20
40	5200	5190 - 5210	20
44	5220	5210 - 5230	20
48	5240	5230 - 5250	20
149	5745	5735 - 5755	20
153	5765	5755 - 5775	20
157	5785	5775 - 5795	20
161	5805	5795 - 5815	20
165	5825	5815 - 5835	20

## Product Layout

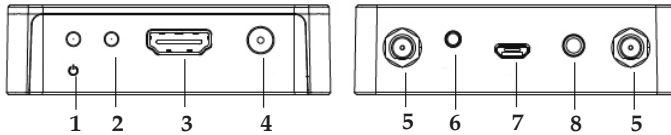
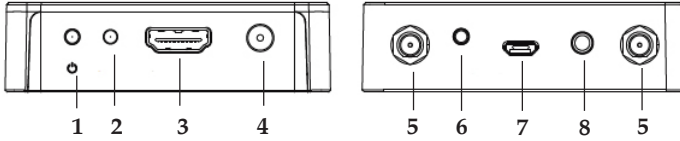


Figure 1: Transmitter (TX)

1. Power LED	On when the Transmitter is powered on
2. Link LED	Connection status indicator LED. Refer to Link Status Indicator on page 8 for details
3. HDMI In	Connects to your HDMI source device
4. Power Jack	Connects to the included power adapter
5. Antenna (x2)	Connects to the included antenna
6. Reset Button	Press and hold down for 5 seconds to reset the TX*
7. Micro USB	Firmware update port
8. IR Out	Connects to the included IR blaster cable

**\*Note:** TX and RX pairing is required after a reset. See Pairing Instructions on page 8.



**Figure 2: Receiver (RX)**

1. Power LED	On when the Receiver is powered on
2. Link LED	Connection status indicator LED. Refer to Link Status Indicator on page 8 for details
3. HDMI Out	Connects to your HDMI display
4. Power Jack	Connects to the included power adapter
5. Antenna (x2)	Connects to the included antenna
6. Reset Button	Press and hold down for 5 seconds to reset the RX*
7. Micro USB	Firmware update port
8. IR In	Connects to the included IR receiver cable

**\*Note:** TX and RX pairing is required after a reset. See Pairing Instructions on page 8.

## Hardware Installation

1. Power off all devices including your HDMI source and HDMI display.
2. Install the included antennas to the TX and RX.
3. Pair the TX and RX. See Pairing Instructions on page 8.
4. Connect your HDMI source device to the Transmitter's HDMI In connector with an HDMI cable (HDMI cable not included).
5. Optional: Connect the IR blaster cable to the Transmitter's IR interface port. Face the eye towards your HDMI source device's IR window. This connection is needed only if you need to control your HDMI source from the remote display location.
6. Connect your HDMI display to the Receiver's HDMI Out connector with an HDMI cable (HDMI cable not included).
7. Optional: Connect the IR receiver cable to the Receiver's IR interface port. This connection is needed only if you need to control your HDMI source from the remote display location.
8. Plug the included power adapters into the Transmitter's and Receiver's Power Jacks, then plug both power adapters into reliable power outlets.
9. Power on your HDMI source device and HDMI display. The wireless extender is ready for use.

**Note:** For optimal signal range, install in a clear environment with few obstacles. Wireless signals from other devices may interfere with transmission. Contact our technical support team if you have specific questions.

## Pairing Instructions

1. Power off and disconnect all devices.
2. Connect the TX's HDMI In to the RX's HDMI Out using an HDMI cable (HDMI cable not included).
3. Power on the RX, and wait for the Power LED and Link LED to remain solid on. When both LEDs are on, power on the TX.
4. After successful pairing the Link LED on the TX and RX will flash.
5. Power off the TX and RX after pairing.

**Note:** Repeat steps 1-5 if pairing is not successful.

## Link LED Status Indicator

TX Link LED Status	RX Link LED Status	Description
Flashing	On	The TX and RX are paired
Flashing	Flashing	The TX and RX are paired, and there is video signal transmission
On	On	The TX and RX are not paired or connected



## IR Cables

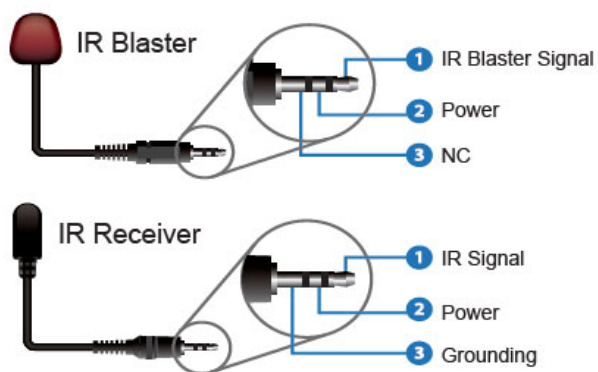
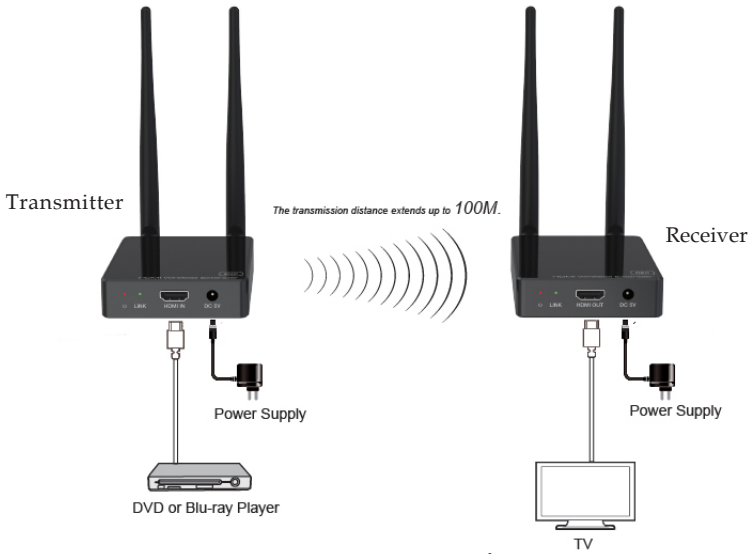


Figure 3: IR Cable Specifications

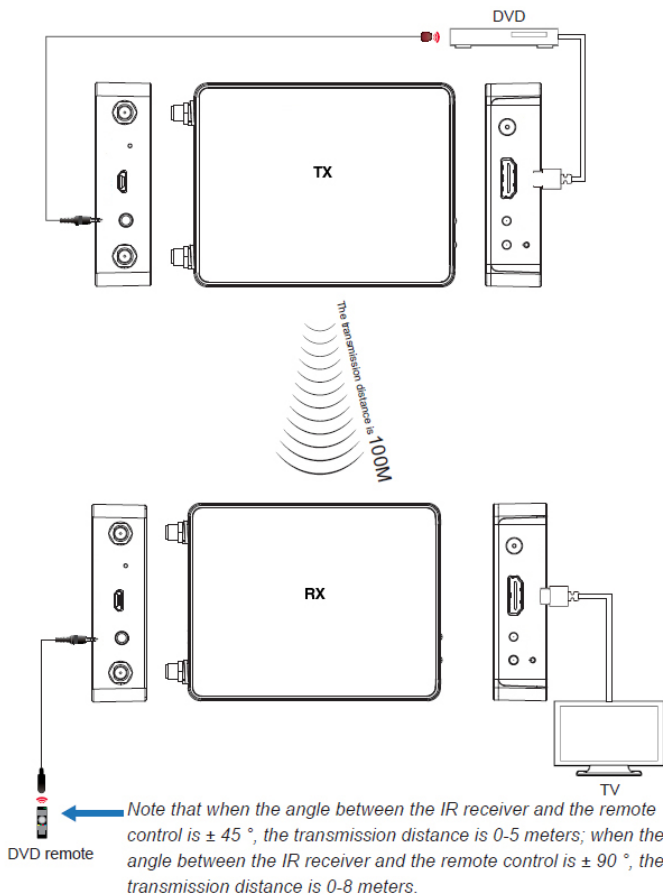
## Application Diagram

The diagram shows the typical devices used with the wireless extender.



**Figure 4: Application Diagram**

## IR Application



**Figure 5: IR Application Diagram**

## Notice

- Wireless signals transmitted through walls, glass, brick or other solid objects will cause signal loss and decrease the transmission distance
- External wireless signals from microwaves, wireless mice and wireless keyboards will interfere with HDMI signal transmission
- Keep the unit in a well ventilated environment to prevent it from overheating
- **DO NOT** expose the unit to rain, moisture, or liquids
- **DO NOT** place anything on the unit
- **DO NOT** open the housing, doing so will void the warranty and may cause personal injury due to electronic hazard
- **DO NOT** plug-in or remove the IR cables when the unit is powered on

## FAQ & Troubleshooting

Q: The Wireless Connection LED is on, but no video output on the remote display:

- A:
- 1) Check the HDMI source device is powered on.
  - 2) Check the transmitter's HDMI Signal LED is on.
  - 3) Check the HDMI cables for solid connection. Use different HDMI cables if necessary.
  - 4) Press the Reset button on both the TX and RX.
  - 5) Connect the HDMI source device directly to the display to see if there is a signal.

Q: Poor video quality:

- A:
- 1) Check the HDMI cables are connected properly. Use different HDMI cables if necessary.
  - 2) Change the angle of the antenna on the transmitter unit and receiver unit. Generally, the antenna angle should be positioned as far apart as possible.
  - 3) Adjust the position of transmitter unit and receiver unit, and make sure they are within the required signal range.
  - 4) Press the Reset button on the transmitter unit and receiver unit.
  - 5) Remove other wireless signals and move any obstacles that are blocking the signal line-of-sight.
  - 6) Decrease the distance between the transmitter unit and the receiver unit.

## Specifications

Item	Description
HDCP Compliance	HDCP 1.4
Video Bandwidth	6.75 Gbps
Video Resolution	Input: Up to 1080p @60Hz Output: Up to 1080p @60Hz
Color Space	RGB, YCbCr YUV 4:4:4 / 4:2:2
Color Depth	8/10/12-bit (1080p @60Hz)
HDMI Audio	Input: LPCM 2.0CH 32KHz/44.1KHz / 48KHz / 88.2KHz / 96KHz /176.4KHz / 192KHz Output: LPCM 2.0CH 48KHz
Power Adapter (x2)	Input: 100-240V AC 50/60Hz Output: 5VDC/2A
Power Consumption	TX: 2.25W RX: 1.8W
Dimensions	TX / RX: 76mm (W) x 98mm (D) x 21mm (H)
Weight	TX/RX: 100g each
Operating Temperature	32 to 104 F (0 to 40 C)

## **Disclaimer**

The product name and brand name may be registered trademarks of related manufacturers. TM and ® may be omitted on the user's guide. The pictures on the user's guide are just for reference, and there may be some slight differences with the actual products.

We reserve the right to make changes without prior notice to a product or system described herein to improve reliability, function, or design.



*Thank you for choosing gofanco*

*[www.gofanco.com](http://www.gofanco.com)*