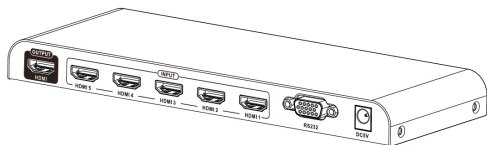




5x1 HDMI 2.0 HDR Switch User's Guide



P/N: HDRswitch5P

Thank you for purchasing from gofanco. Our products aim to meet all your connectivity needs wherever you go. For optimum performance and safety, please read the instructions carefully and keep this User's Guide for future reference. If you need more information about our products, please visit www.gofanco.com. For technical support, please email us at support@gofanco.com. For drivers/manuals download, please go to www.gofanco.com/download.

Important Safety Notices

Please read safety instructions carefully before installation and operation.

- Please pay close attention to all warnings and hints for this device
- Do not expose this unit to rain, heavy moisture, or liquid
- Do not repair the device or open the enclosure without professional guidance to avoid electric shocks. Doing so may void your warranty
- Keep the product in a well-ventilated location to avoid damage from overheating

- Shut off power and make sure environment is safe before installation
- Do not plug the HDMI cables in/out when the device is in use to avoid cable damage. Make sure they are plugged into the correct ports
- Use the included DC5V power adapter only. Make sure the specification matches if using 3rd-party DC power adapters

Introduction

The 5x1 HDMI 2.0 HDR Switch allows you to select and switch between 5 HDMI source devices to display on 1 HDMI display.

Features

- Allows 5 HDMI source devices to be switched/routed to 1 display
- Supports 4K @60Hz YUV 4:4:4, HDR, 3D
- Included IR remote control allows you to select and switch source devices
- Compliant with HDMI 2.0, HDCP 2.2 with 18Gbps bandwidth

Package Contents

- 5x1 HDMI 2.0 HDR Switch
- Remote controller
- Power adapter
- User's guide

Installation Requirements

1. HDMI source device (computer, DVD player, XBOX, PS3, etc)
2. HDMI display device (SDTV/Monitor, HDTV/Monitor, projector, etc.)
3. HDMI cables

Layout

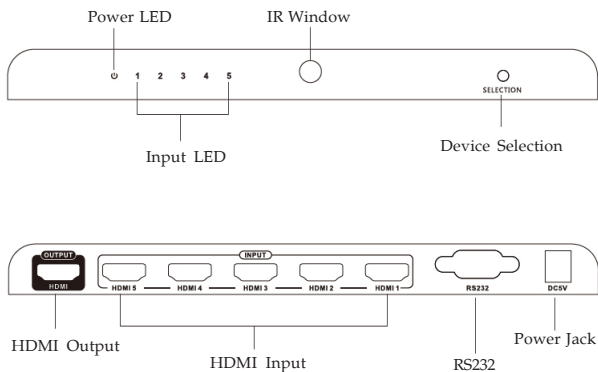


Figure 1: Switch

Power LED	Lights up when the switch is powered on
Input LED	Displays the selected HDMI source device
IR Window	Receives commands from the included remote controller
Device Selection	Press the button to change source device
HDMI Output	Connects to your HDMI display device
HDMI Input	Connects to your HDMI source devices
RS232	Connects to an RS232 enabled computer for device control
Power Jack	Connects to the included power adapter

Remote Controller

1. Power Button	Powers On / Off the Switch
2. Left and Right	Selects the source device in numerical order
3. Device Selection	Press the number button to select the source device as needed

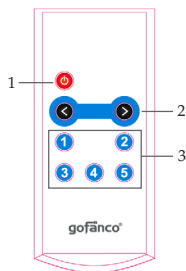


Figure 2: Remote Controller

Hardware Installation

1. Power off all devices including your HDMI source and HDMI display(s).
2. Connect your HDMI source devices to the Switch's HDMI Input connectors with HDMI cables (HDMI cables not included).
3. Connect your HDMI display to the Switch's HDMI output connector with an HDMI cable (HDMI cable not included).
4. Plug the included power adapter into the Switch's Power Jack, then plug the power adapter into a reliable power source.
5. Power on all connected devices.
6. The Switch is ready for use.

Connection Diagram

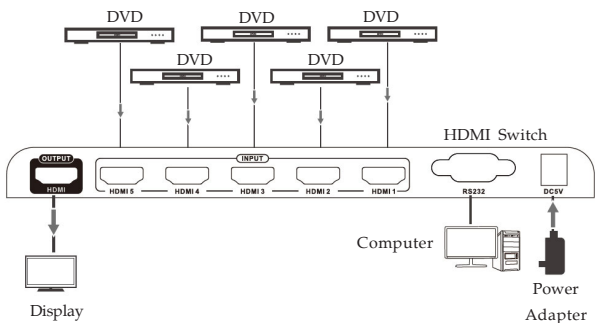


Figure 3: Connection Diagram

RS232 Operation

Use an RS232 terminal program such as PComm or Hyperterminal. The examples shown are using PComm terminal program.

1. Connect the switch to your computer using an RS232 cable (cable not included).
2. Open your RS232 terminal program.
3. Configure the terminal program: Baud rate: 9600; Data bits: 8; Parity: none; Stop bits: 1. See Figure 4.

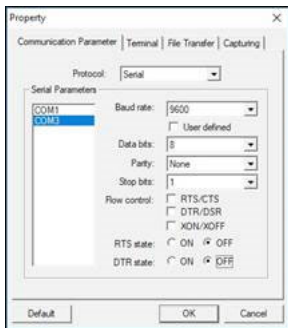


Figure 4: RS232 Settings

4. In the Terminal window, type in the desired command. See RS232 commands on the next page.

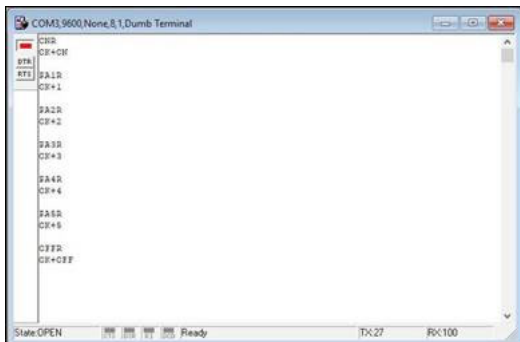


Figure 5: Terminal Window

Command	Result
PA1R	Select HDMI Input 1
PA2R	Select HDMI Input 2
PA3R	Select HDMI Input 3
PA4R	Select HDMI Input 4
PA5R	Select HDMI Input 5
ONR	Power on the switch
OFFR	Power off the switch

RS232 Commands

FAQ & Solutions

Q: There is no video output or audio and video display is not normal.

A: 1) Check the power adapter connection and make sure the Switch's Power LED is on.

2) Check whether the HDMI cables are connected properly.

3) Check the TV is set to the correct HDMI input.

Q: The display is unstable or pixilated.

A: 1) Check whether the HDMI cables are connected properly.

2) Connect the HDMI source directly to the TV for proper connection.

3) Try different HDMI cables.

Specifications

Item	Specification
Input ports	5x, HDMI Type-A, 19-pin, Female
Output ports	1x, HDMI Type-A, 19-pin, Female
HDMI version	HDMI 2.0
HDCP version	HDCP 2.2
Input resolution	4Kx2K@30/60Hz HDR, 3D, 12-bit Full HD
Output resolution	480i/480p/576i/576p/1080i/1080p/4Kx2K@24/25/30/60 Hz
HDR	Supported
Audio	Direct Stream Digital (DSD) and HD (HBR) audio
Operating temperature	32 - 140 F (0 - 60 C)
Power consumption	<5W
Dimensions	8.58" (L) x 3.10" (H) x 0.81" (W)

Disclaimer

The product name and brand name may be registered trademarks of related manufacturers. TM and ® may be omitted on the user's guide. The pictures on the user's guide are just for reference, and there may be some slight differences with the actual products.

We reserve the right to make changes without prior notice to a product or system described herein to improve reliability, function, or design.



Thank you for choosing gofanco

www.gofanco.com