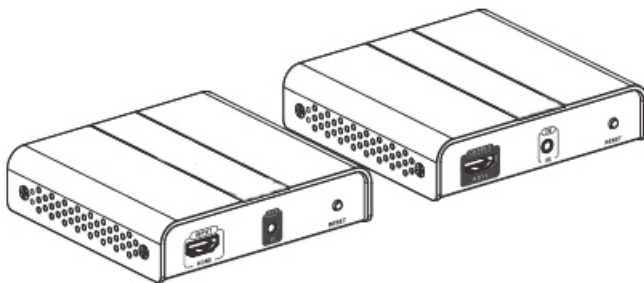




HDMI HDbiT CAT5e/6 Extender 4K - 120m User's Guide



P/N:HDbiT4K

Thank you for purchasing from gofanco. Our products aim to meet all your connectivity needs wherever you go. For optimum performance and safety, please read the instructions carefully and keep this User's Guide for future reference. If you need more information about our products, please visit www.gofanco.com. For technical support, email us at support@gofanco.com. For drivers/manuals download, please go to <http://www.gofanco.com/download>.

Important Safety Notices

Please read safety instructions carefully before installation and operation.

- Please pay close attention to all warnings and hints for this device
- Do not expose this unit to rain, heavy moisture, or liquid
- Do not put any items into the device or attempt to modify its operation
- Do not repair the device or open the enclosure without professional guidance to avoid electric shocks. Doing so may void your warranty
- Keep the product in a well-ventilated location to avoid damage from overheating
- Shut off power and make sure environment is safe before installation
- Do not plug the HDMI cables and IR cables in/out when the device is in use to avoid cable damage. Make sure they are plugged into the correct ports
- Use the included power adapters only. Make sure the specification matches if using 3rd-party DC power adapters

Introduction

The HDMI HDbiT CAT5e/6 Extender 4K-120m extends 4K HDMI signals over one Cat5e/6 cable up to 120m (394ft) with IR support.

Features

- HDMI 2.0 and HDCP 2.2 compliant
- Extends HDMI signal up to 120 meters over a single Cat5e/6 cable
- Supports One-to-One, One-to-Many, and Cascade configurations
- Additional Receivers (part # HDbiT4K-RX) sold separately
- Supports IR remote control function to control the source device from long distances

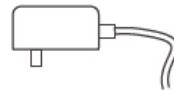
Package Contents



Transmitter (1pc)



Receiver (1pc)



Power Adapter
5VDC/3A (2pcs)



IR Blaster Extension
Cable (1pc)



IR Receiver Extension
Cable (1pc)



User's Guide (1pc)

Product Layout



Figure 1: Transmitter (TX)

- 1 **HDMI In:** Connect your HDMI source here with an HDMI cable (cable not included)
- 2 **IR Out:** Infrared 3.5mm socket. Plug IR Blaster Extension Cable here. See instructions on page 6.
- 3 **Reset:** Press to reset if HDMI Extender doesn't work properly
- 4 **Power LED:** On when the Transmitter is powered
- 5 **Power Jack:** Connect the included power adapter here
- 6 **Activity LED:** Blinks during data transmission
- 7 **Link LED:** On when the Cat5e/6 cable is connected/linked properly to Transmitter's and Receiver's RJ45
- 8 **RJ45 Out:** Link to Receiver's RJ45 In using a Cat5e/6 cable



Figure 2: Receiver (RX)

- 1 **HDMI Out:** Connect your HDMI display here with an HDMI cable (cable not included)
- 2 **IR In:** Infrared 3.5mm socket. Plug IR Receiver Extension Cable here. See instructions on page 6.
- 3 **Reset:** Press to reset if HDMI Extender doesn't work properly
- 4 **Power LED:** On when the Receiver is powered
- 5 **Power Jack:** Connect the included power adapter here
- 6 **Activity LED:** Blinks during data transmission
- 7 **Link LED:** On when the Cat5e/6 cable is connected/linked properly to Transmitter's and Receiver's RJ45
- 8 **RJ45 In:** Link to the Transmitter's RJ45 Out via a Cat5e/6 cable

Installation Requirements

1. HDMI source device (DVD player, set top box, PC, etc.)
2. HDMI display device (SDTV/Monitor, HDTV/Monitor, projector, etc.)
3. HDMI cables (not included)
4. UTP/STP CAT5e/6/6A/7 cable, following IEEE-568B wiring standard

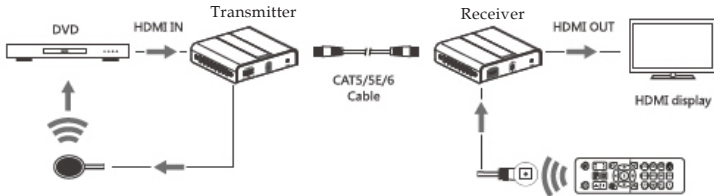
Hardware Installation

To achieve optimal performance, Cat6 cable is recommended.

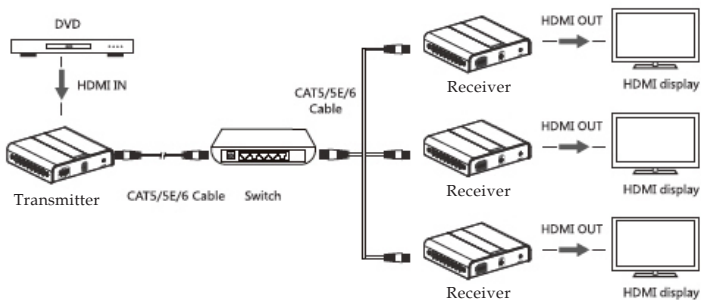
1. Power off all devices including your HDMI source and HDMI display.
2. Connect your HDMI source to the Transmitter's HDMI In connector.
3. Optional: Connect the IR Blaster Extension Cable to the Transmitter's IR Out port. Face the eye towards your HDMI source device's IR window. This connection is needed only if you need to control your HDMI source from the remote location.
4. Connect your Cat5e/6 cable between the Transmitter's RJ45 Out and Receiver's RJ45 In.
5. Connect your HDMI display to the Receiver's HDMI Out connector with an HDMI cable (HDMI cable not included).
6. Optional: Connect the IR Receiver Extension Cable to the Receiver's IR In port. This connection is needed only if you need to control your HDMI source device from the remote location.
7. Plug the included power adapters into the Transmitter's and Receiver's Power Jacks, then plug both power adapters into reliable power outlets.
8. Power on your HDMI source device and HDMI displays. The extender is ready for use.

Connection Diagram

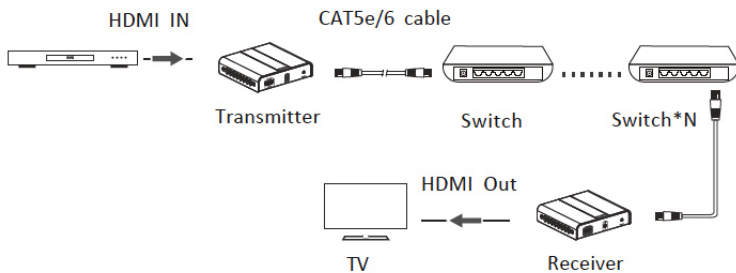
1. One-to-One: Extends HDMI signals up to 120 meters over a single Cat5e/6 cable.



2. One-to-Many: Extend and split using dedicated network router/switch.
 - One Transmitter (TX) to several Receivers (RX).
 - Additional Receivers (part # HDbitT4K-RX) sold separately.



3. Cascade: Unlimited extension with dedicated network router/switch.



FAQ & Solutions

Q1: The TV displays "Waiting for connection..." on the bottom-right corner:

- A:
1. Check whether the power adapter of Transmitter (TX) and Receiver (RX) or Network Router/Switch (if used) is connected.
 2. Make sure the network cable (Cat5e/6) is firmly connected between the TX and RX.

Q2: The TV displays "Please check the TX input signal":

- A:
1. Make sure the HDMI source device is connected to the Transmitter (TX) and powered on.
 2. Use other HDMI cables to connect.
 3. If still doesn't work, connect the HDMI source device to the TV directly to see if there's a signal.

Q3: The HDMI extender isn't working properly:

- A:
1. Please check the cable lengths are within below:
 - HDMI cables: 2 meters
 - Network cable (Cat5e/6): 120 meters
 2. Press the "Reset" button on the TX and RX and reconnect.

Specifications

Item	Specification
Compliance	HDMI 2.0, HDCP 2.2
Transmission protocol	HDbitT
Latency	<200ms
HDMI input resolution	480i@60Hz, 480p@60Hz, 576i@50Hz, 576p@50Hz, 720p@50/60Hz, 1080i@50/60Hz, 1080p@50/60Hz, 4Kx2K@24/25/30/60Hz
HDMI output resolution	1080p@60Hz, 4Kx2K@30/60Hz
Transmission distance	Up to 120m (394ft)
IR signal	20KHz - 60KHz
Operating temperature	32 - 121 F (0 - 50 C)
Power adapter	5VDC / 3A
Power consumption	TX: <8W; RX: <10W
Dimensions	4.1" (L) x 3.8" (W) x 0.98" (H)
Weight	TX & RX: 0.53 lbs (each)

Disclaimer

The product name and brand name may be registered trademarks of related manufacturers. TM and ® may be omitted on the user's guide. The pictures on the user's guide are just for reference, and there may be some slight differences with the actual products.

We reserve the rights to make changes without prior notice to a product or system described herein to improve reliability, function, or design.



Thank you for choosing gofanco

www.gofanco.com