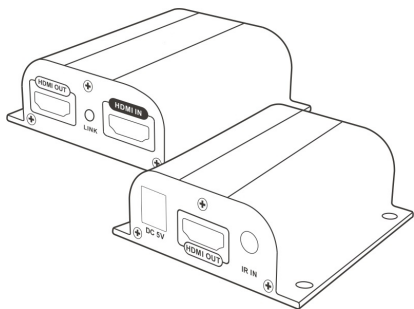




HDMI CAT5e/6 Extender with IR - 50m User's Guide



P/N: HDMIExt2

Thank you for purchasing from gofanco. Our products aim to meet all your connectivity needs wherever you go. For optimum performance and safety, please read the instructions carefully and keep this User's Guide for future reference. If you need more information about our products, please visit www.gofanco.com. For technical support, please email us at support@gofanco.com. For drivers/manuals download, please go to <http://www.gofanco.com/download>.

Important Safety Notices

Please read safety instructions carefully before installation and operation.

- Please pay close attention to all warnings and hints for this device
- Do not expose this unit to rain, heavy moisture, or liquid
- Do not repair the device or open the enclosure without professional guidance to avoid electric shocks. Doing so may void your warranty
- Keep the product in a well-ventilated location to avoid damage from overheating

- Shut off power and make sure environment is safe before installation
- Do not plug the HDMI cables and IR cables in/out when the device is in use to avoid cable damage. Make sure they are plugged into the correct ports
- Use the included DC5V power adapters only. Make sure the specification matches if using 3rd-party DC power adapters

Introduction

The HDMI CAT5e/6 Extender with IR - 50m extends high definition 1080p HDMI signals from a source device to a display device up to 50 meters using an economical CAT5e/6 cable.

Features

- Transmits HDMI signals from source device to display device up to 50 meters using economical CAT5e/6 cabling
- Supports IR remote control function to control the source device from long distances
- Easy and clean installation

Package Contents



Transmitter (TX) (1pc)



Receiver (RX) (1pc)



User's Manual (1pc)



Power Adapter (2pcs)



IR Blaster Extension
Cable (1pc)



IR Receiver Extension
Cable (1pc)

Installation Requirements

1. HDMI source device (computer, DVD player, XBOX, PS3, etc)
2. HDMI display device (SDTV/Monitor, HDTV/Monitor, projector, etc.)
3. UTP/STP CAT5e/6 cable following IEEE-568B wiring standard

Product Layout

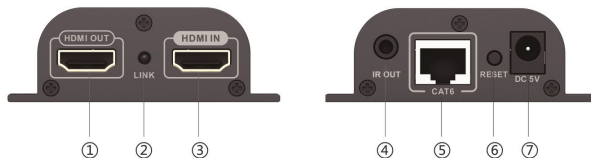


Figure 1: Transmitter (TX)

1. HDMI Out	Connects to a local HDMI display
2. Link LED	Lights up when HDMI input signal detected Flashes when no HDMI input signal detected
3. HDMI Input	Connects to the HDMI source device
4. IR Output	Connects to the IR Blaster extension cable
5. RJ45 Output	Connects to the Receiver's RJ45 Input port using a CAT5e/6 cable
6. Reset Button	Press the button to reset the transmitter
7. Power Jack	Connects to the included power adapter

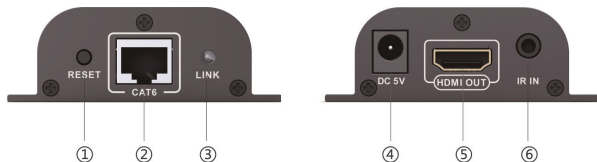


Figure 2: Receiver (RX)

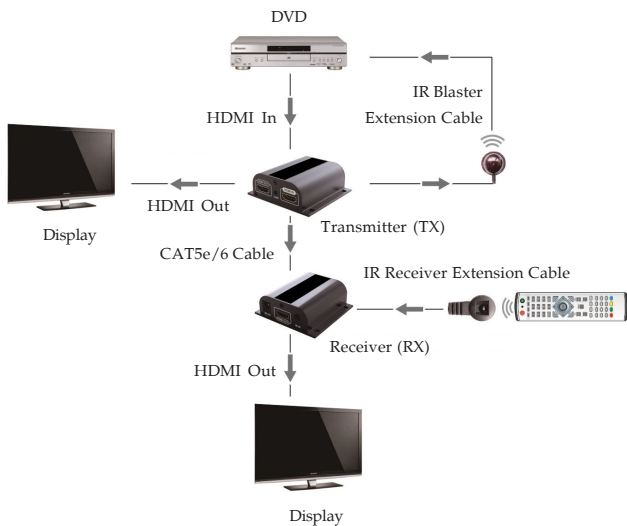
1. Reset Button	Push the button to reset the receiver
2. RJ45 Input	Connects to the Transmitter's RJ45 Output port using a CAT5e/6 cable
3. Link LED	Lights up when RJ45 from TX detected Flashes when RJ45 from TX not detected
4. Power Jack	Connects to the included power adapter
5. HDMI Out	Connects to remote HDMI display
6. IR Input	Connects to the IR receiver extension cable

Hardware Installation

1. Power off all devices including your HDMI source and HDMI display(s).
2. Connect your HDMI source device to the Transmitter's HDMI Input connector with an HDMI cable (HDMI cable not included).
3. Optional: Connect a HDMI display to the Transmitter's HDMI out connector with an HDMI cable (HDMI cable not included) for local monitoring of the HDMI signal.

4. Optional: Connect the IR Blaster Extension Cable to the Transmitter's IR output port. Face the eye towards your HDMI source device's IR window. This connection is needed only if you need to control your HDMI source from the remote location.
5. Plug your CAT5e/6 cable between the Transmitter's RJ45 Output and Receiver's RJ45 Input.
6. Connect your HDMI display to the Receiver's HDMI output connector with a HDMI cable (HDMI cable not included).
7. Optional: Connect the IR Receiver Extension Cable to the Receiver's IR input port. This connection is needed only if you need to control your HDMI source device from the remote location.
8. Plug the included power adapters into the Transmitter's and Receiver's power jacks, then plug both power adapters into a reliable power source.
9. Power on all connected devices.
10. The HDMI extender is ready for use.

Application



FAQ & Solutions

Q: There is no video output or audio and video display is not normal:

A: 1) Press the Receiver's reset button to reset the unit.

2) Use a shorter network cable.

Q: The Receiver's Link LED is flashing:

A: 1) Make sure the network cable follows the IEEE-568B wiring standard.

2) Check whether TX has HDMI signal input.

3) Reset both TX & RX and reconnect.

Q: The extender is not working properly:

A: 1) Please check the cable lengths below:

- HDMI cables: Up to 5m

- Network cables (CAT5e/6): Up to 50m

2) Press the reset button on the TX/RX and reconnect.

Q: RX Link LED is on but there is no image:

A: 1) Press RX reset button to reset the unit.

2) Make sure the HDMI cable is firmly connected to the display.

3) Use a higher quality network cable.

Specifications

Item	Specifications
HDMI Compliance	1.4a
HDCP Compliance	1.2a
Video Bandwidth	225MHz (10.2Gbps)
Resolution	480i@60Hz, 480p@60Hz, 576i@50Hz, 576p@50Hz, 720p@50/60Hz, 1080i@50/60Hz, 1080p@50/60Hz
Audio Support	PCM, AC3, DTS
Input TMDS Signal	1.2Vp-p
Loop-out on TX	One HDMI loop-out on TX
IR Passback	Yes
IR Frequency Range	20KHz-60KHz
Operating Temperature	32° - 140° F (0° - 60° C)
Power Adapter	Output: 5VDC/2A
Power Consumption	TX: <3W / RX: <2W
Product Dimensions	2.8" (L) x 2.6" (W) x 0.97" (H)
Weight	TX: 0.18 lbs / RX: 0.17 lbs
Color	Black

Disclaimer

The product name and brand name may be registered trademarks of related manufacturers. TM and ® may be omitted on the user's guide. The pictures on the user's guide are just for reference, and there may be some slight differences with the actual products.

We reserve the right to make changes without prior notice to a product or system described herein to improve reliability, function, or design.



Thank you for choosing gofanco

www.gofanco.com